

# Microline

7 x 7



## Body

Surface mounted LED system in extruded aluminium.  
Available in different length configurations starting from 50mm with increment of 45mm.  
Section 7x7mm.

Mounting options:  
Integrated magnets for easy installation.  
L brackets.  
U mounting clips.

**\* Plastic free packaging.**

## Accessories

Mounting accessories included.  
Extension cable Art. 2D58 to be ordered separately.

## Finish

Anodized black or aluminium finish.

## LED sources

SMD.  
CRI: 97 | R9: >90 | CCT: 2700K, 3000K, 3500K, 4000K.  
3-Step MacAdam.  
Other CRI and CCT options available on request.

## Optic

Extra Wide Beam Angle.  
Opal Diffuser (OD).  
Lenticular Transparent Diffuser (TD).  
Opal Rigid Diffuser (RD).

## Driver

Driver not included to be ordered separately.  
Work with 24V Constant Voltage Driver positioned remotely.

## Applications

Miniature linear light with a disappearing look delivers an homogenous and diffuse light effect, making it the ideal product for showcase and under cabinet illumination.  
Application areas: Retail, cabinet displays, showcases, jewelry displays, residential, restaurants, museums.

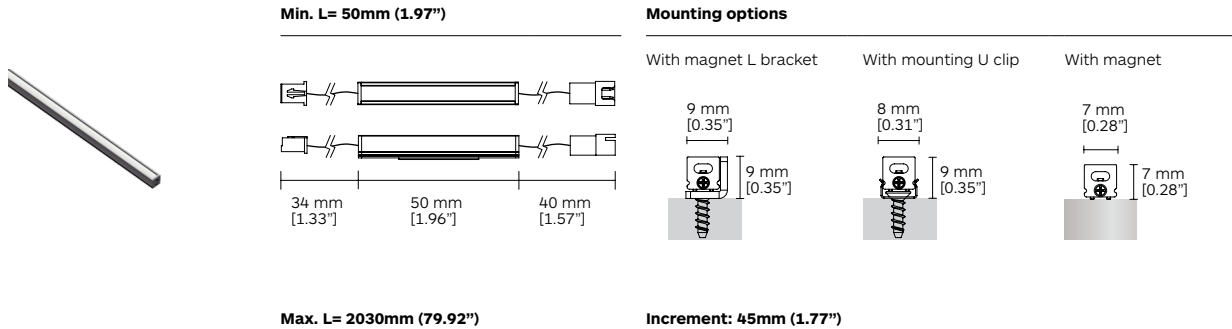
## Related Products

**Microline  
7 x 7 Chain** 

**Microline  
7 x 7 Corner** 

**Microline  
7 x 7 Corner  
Chain** 

# Microline 7 x 7 | 19W/m | G447



## Available length codes

LED Power	Length code	Length in mm	Length in inches	Nominal Lumen	LED Power	Length code	Length in mm	Length in inches	Nominal Lumen	LED Power	Length code	Length in mm	Length in inches	Nominal Lumen
0.86W	<b>0050</b>	50	1.97	85 lm	13.68W	<b>0725</b>	725	28.54	1228 lm	26.51W	<b>1400</b>	1400	55.12	2372 lm
1.71W	<b>0095</b>	95	3.74	161 lm	14.54W	<b>0770</b>	770	30.31	1304 lm	27.36W	<b>1445</b>	1445	56.89	2448 lm
2.57W	<b>0140</b>	140	5.51	237 lm	15.39W	<b>0815</b>	815	32.09	1381 lm	28.22W	<b>1490</b>	1490	58.66	2524 lm
3.42W	<b>0185</b>	185	7.28	313 lm	16.25W	<b>0860</b>	860	33.86	1457 lm	29.07W	<b>1535</b>	1535	60.43	2600 lm
4.28W	<b>0230</b>	230	9.06	390 lm	17.10W	<b>0905</b>	905	35.63	1533 lm	29.93W	<b>1580</b>	1580	62.20	2676 lm
5.13W	<b>0275</b>	275	10.83	466 lm	17.96W	<b>0950</b>	950	37.40	1609 lm	30.78W	<b>1625</b>	1625	63.98	2753 lm
5.99W	<b>0320</b>	320	12.60	542 lm	18.81W	<b>0995</b>	995	39.17	1685 lm	31.64W	<b>1670</b>	1670	65.75	2829 lm
6.84W	<b>0365</b>	365	14.37	618 lm	19.67W	<b>1040</b>	1040	40.94	1762 lm	32.49W	<b>1715</b>	1715	67.52	2905 lm
7.70W	<b>0410</b>	410	16.14	694 lm	20.52W	<b>1085</b>	1085	42.72	1838 lm	33.35W	<b>1760</b>	1760	69.29	2981 lm
8.55W	<b>0455</b>	455	17.91	771 lm	21.38W	<b>1130</b>	1130	44.49	1914 lm	34.20W	<b>1805</b>	1805	71.06	3058 lm
9.41W	<b>0500</b>	500	19.69	847 lm	22.23W	<b>1175</b>	1175	46.26	1990 lm	35.06W	<b>1850</b>	1850	72.83	3134 lm
10.26W	<b>0545</b>	545	21.46	923 lm	23.09W	<b>1220</b>	1220	48.03	2067 lm	35.91W	<b>1895</b>	1895	74.61	3210 lm
11.12W	<b>0590</b>	590	23.23	999 lm	23.94W	<b>1265</b>	1265	49.80	2143 lm	36.77W	<b>1940</b>	1940	76.38	3286 lm
11.97W	<b>0635</b>	635	25.00	1076 lm	24.80W	<b>1310</b>	1310	51.57	2219 lm	37.62W	<b>1985</b>	1985	78.15	3362 lm
12.93W	<b>0680</b>	680	26.77	1152 lm	25.65W	<b>1355</b>	1355	53.35	2295 lm	38.48W	<b>2030</b>	2030	79.92	3439 lm

Code ordering example: **G 4 4 7 0 0 5 0 . 9 7 2 7 O D 0 0 1 0**

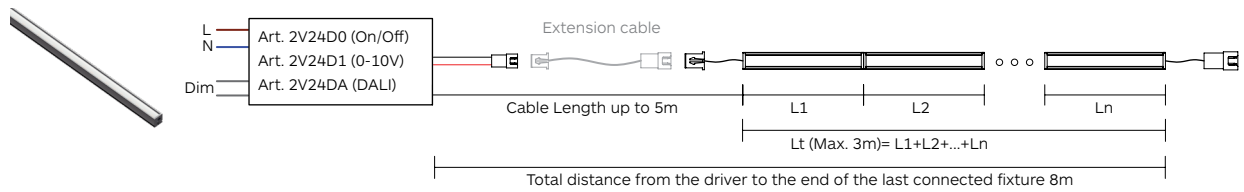
	Product code*	Length code***	Light Source	>CRI	CCT**	LED Power	Nominal Lumen	Diffuser	Driver Options	Finish
Microline 7 x 7	<b>G447</b>	<b>0050</b>	LED	<b>97</b>	<b>27</b> 2700K	19W/m	1694 lm/m	<b>OD</b>	<b>00</b> No Driver	<b>10</b> ■ Black
Min & Max. Length		<b>2030</b>			<b>30</b> 3000K			<b>TD</b>		<b>70</b> ■ Aluminium
					<b>35</b> 3500K			<b>RD</b>		
					<b>40</b> 4000K					

# Driver Options

## Constant Voltage

### Microline 7 x 7

2V24 Constant Voltage LED Driver. 1 Driver for Maximum 3m long fixtures.



### G447

Vin= 90-305V AC 50/60Hz  
Vout= 24VDC 2.5A 60W Max.  
Dimensions: 150x53x35mm  
IP67

Extension cable. Art. **2D58**. 1m (if necessary).