

# Microline

14 x 14



## Body

Surface mounted LED system in extruded aluminium.  
Deep regressed light source position.  
Available in different length configurations starting from 35mm with increment of 30mm.  
Section 14x14mm.

Mounting options:  
Integrated magnets for easy installation.  
L brackets.  
U mounting clips.

**\* Plastic free packaging.**

## Accessories

Mounting accessories included.  
Extension cable Art. 2D58 to be ordered separately.

## Finish

Anodized black or aluminium finish.

## LED sources

SMD.  
CRI: 97 | R9: >90 | CCT: 2700K, 3000K, 3500K, 4000K.  
3-Step MacAdam.  
Other CRI and CCT options available on request.

## Optic

Extra Wide Beam Angle.  
Opal Diffuser (OD).  
Lenticular Transparent Diffuser (TD).  
Opal Rigid Diffuser (RD).

## Driver

Driver not included to be ordered separately.  
Work with 24V Constant Voltage Driver positioned remotely.

## Applications

Miniature linear light with a disappearing look delivers an homogenous and diffuse light effect, making it the ideal product for showcase and under cabinet illumination.  
Application areas: Retail, cabinet displays, showcases, jewelry displays, residential, restaurants, museums.

## Related Products

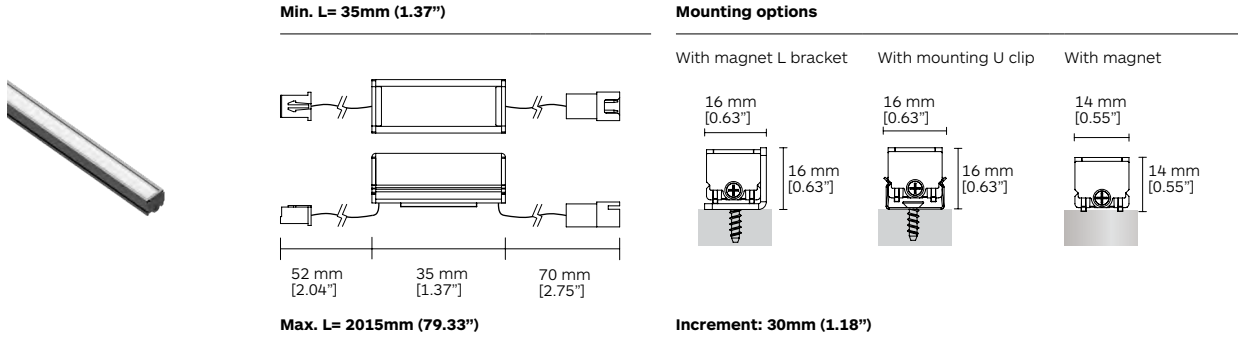
**Microline  
14 x 14  
Chain**



**Microline  
14 x 14  
Corner**



# Microline 14 x 14 | 20W/m | G448



## Available length codes

LED Power	Length code	Length in mm	Length in inches	Nominal Lumen	LED Power	Length code	Length in mm	Length in inches	Nominal Lumen	LED Power	Length code	Length in mm	Length in inches	Nominal Lumen
0.60W	<b>0035</b>	35	1.38	63 lm	14.40W	<b>0725</b>	725	28.54	1316 lm	28.20W	<b>1415</b>	1415	55.71	2568 lm
1.20W	<b>0065</b>	65	2.56	118 lm	15.00W	<b>0755</b>	755	29.72	1370 lm	28.80W	<b>1445</b>	1445	56.89	2623 lm
1.80W	<b>0095</b>	95	3.74	172 lm	15.60W	<b>0785</b>	785	30.91	1425 lm	29.40W	<b>1475</b>	1475	58.07	2677 lm
2.40W	<b>0125</b>	125	4.92	227 lm	16.20W	<b>0815</b>	815	32.09	1479 lm	30.00W	<b>1505</b>	1505	59.25	2731 lm
3.00W	<b>0155</b>	155	6.10	281 lm	16.80W	<b>0845</b>	845	33.27	1534 lm	30.60W	<b>1535</b>	1535	60.43	2786 lm
3.60W	<b>0185</b>	185	7.28	336 lm	17.40W	<b>0875</b>	875	34.45	1588 lm	31.20W	<b>1565</b>	1565	61.61	2840 lm
4.20W	<b>0215</b>	215	8.46	390 lm	18.00W	<b>0905</b>	905	35.63	1642 lm	31.80W	<b>1595</b>	1595	62.80	2895 lm
4.80W	<b>0245</b>	245	9.65	445 lm	18.60W	<b>0935</b>	935	36.81	1697 lm	32.40W	<b>1625</b>	1625	63.98	2949 lm
5.40W	<b>0275</b>	275	10.83	499 lm	19.20W	<b>0965</b>	965	37.99	1751 lm	33.00W	<b>1655</b>	1655	65.16	3004 lm
6.00W	<b>0305</b>	305	12.01	553 lm	19.80W	<b>0995</b>	995	39.17	1806 lm	33.60W	<b>1685</b>	1685	66.34	3058 lm
6.60W	<b>0335</b>	335	13.19	608 lm	20.40W	<b>1025</b>	1025	40.35	1860 lm	34.20W	<b>1715</b>	1715	67.52	3113 lm
7.20W	<b>0365</b>	365	14.37	662 lm	21.00W	<b>1055</b>	1055	41.54	1915 lm	34.80W	<b>1745</b>	1745	68.70	3167 lm
7.80W	<b>0395</b>	395	15.55	717 lm	21.60W	<b>1085</b>	1085	42.72	1969 lm	35.40W	<b>1775</b>	1775	69.88	3222 lm
8.40W	<b>0425</b>	425	16.73	771 lm	22.20W	<b>1115</b>	1115	43.90	2024 lm	36.00W	<b>1805</b>	1805	71.06	3276 lm
9.00W	<b>0455</b>	455	17.91	826 lm	22.80W	<b>1145</b>	1145	45.08	2078 lm	36.60W	<b>1835</b>	1835	72.24	3330 lm
9.60W	<b>0485</b>	485	19.09	880 lm	23.40W	<b>1175</b>	1175	46.26	2133 lm	37.20W	<b>1865</b>	1865	73.43	3385 lm
10.20W	<b>0515</b>	515	20.28	935 lm	24.00W	<b>1205</b>	1205	47.44	2187 lm	37.80W	<b>1895</b>	1895	74.61	3439 lm
10.80W	<b>0545</b>	545	21.46	989 lm	24.60W	<b>1235</b>	1235	48.62	2241 lm	38.40W	<b>1925</b>	1925	75.79	3494 lm
11.40W	<b>0575</b>	575	22.64	1044 lm	25.20W	<b>1265</b>	1265	49.80	2296 lm	39.00W	<b>1955</b>	1955	76.97	3548 lm
12.00W	<b>0605</b>	605	23.82	1098 lm	25.80W	<b>1295</b>	1295	50.98	2350 lm	39.60W	<b>1985</b>	1985	78.15	3603 lm
12.60W	<b>0635</b>	635	25.00	1152 lm	26.40W	<b>1325</b>	1325	52.17	2405 lm	40.20W	<b>2015</b>	2015	79.33	3657 lm
13.20W	<b>0665</b>	665	26.18	1207 lm	27.00W	<b>1355</b>	1355	53.35	2459 lm					
13.80W	<b>0695</b>	695	27.36	1261 lm	27.60W	<b>1385</b>	1385	54.53	2514 lm					

Code ordering example: **G 4 4 8 0 0 3 5 . 9 7 2 7 O D 0 0 1 0**

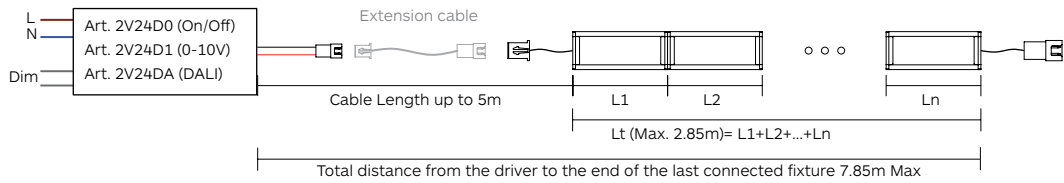
	Product code*	Length code***	Light Source	>CRI	CCT**	LED Power	Nominal Lumen	Diffuser	Driver Options	Finish
Microline 14 x 14	<b>G448</b>	<b>0035</b>	LED	<b>97</b>	<b>27</b> 2700K	20W/m	1815 lm/m	<b>OD</b>	<b>00</b> No Driver	<b>10</b> ■ Black
Min & Max. Length		<b>2015</b>			<b>30</b> 3000K			<b>TD</b>		<b>70</b> ■ Aluminium
					<b>35</b> 3500K			<b>RD</b>		
					<b>40</b> 4000K					

# Driver Options

## Constant Voltage

### Microline 14 x 14

2V24 Constant Voltage LED Driver. 1 Driver for Maximum 2.85m long fixtures.



### G448

Vin= 90~305V AC 50/60Hz  
Vout= 24VDC 2.5A 60W Max.  
Dimensions: 150x53x35mm  
IP67

Extension cable. Art. **2D58**. 1m (if necessary).