

formalighting



# Solo Series



**2025**

# Solo Series

**Solo S**

**Solo S Zoom**

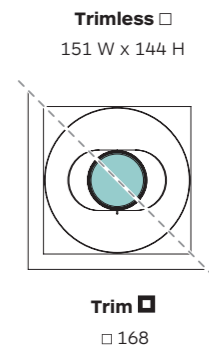
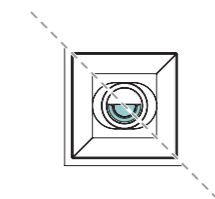
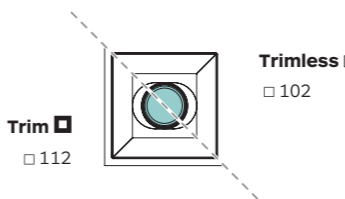
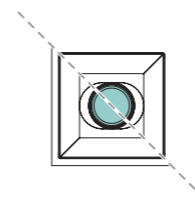
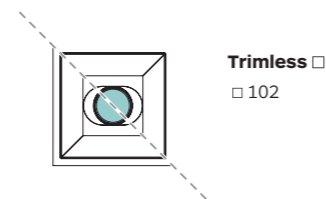
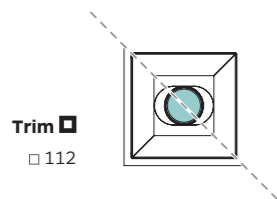
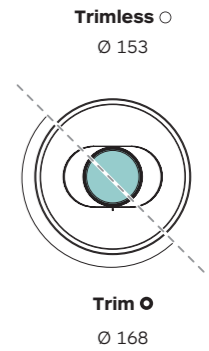
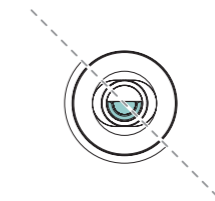
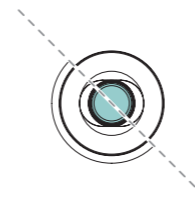
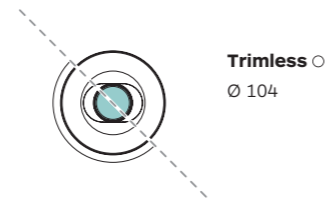
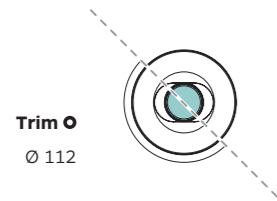
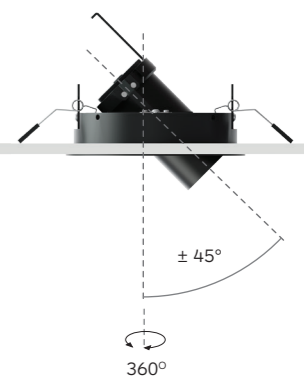
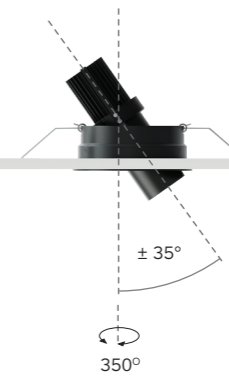
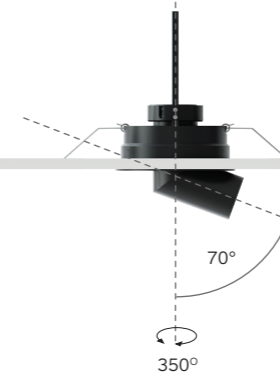
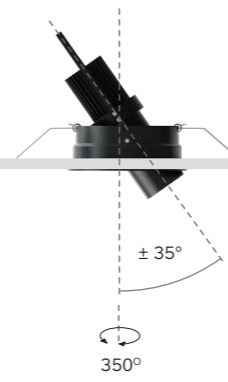
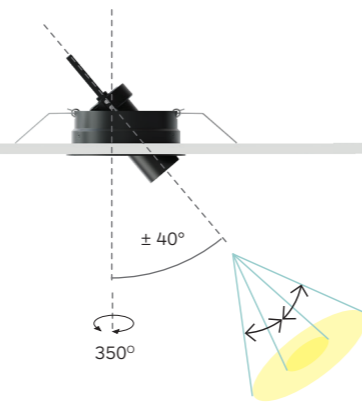
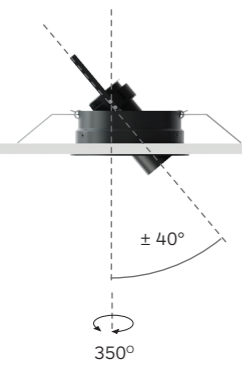
**Solo M**

**Solo M 70**

**Solo M Wallwasher**

**Solo**

# Solo Series



Solo S

Solo S  
Zoom

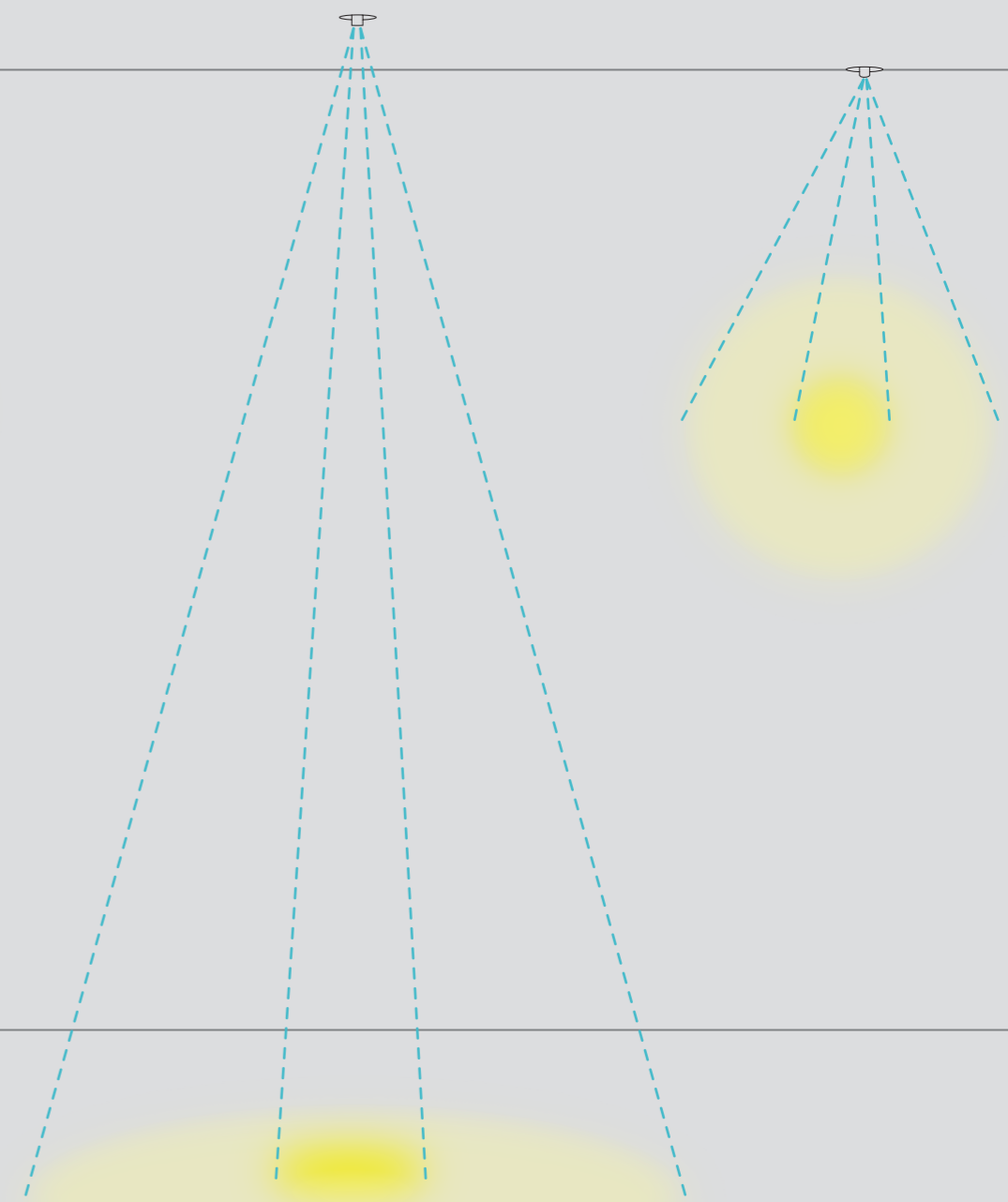
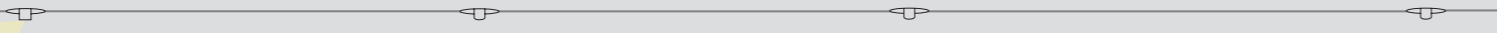
Solo M







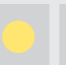

Solo M 70

Solo M  
Wallwasher

Solo

# Solo Series Optics



										
Solo S Round & Square	CRI> 97	14°	22°	32°						
Solo S Zoom Round & Square	CRI> 90									08° - 57°
Solo M, Solo M 70 Round & Square	CRI> 90	14°	18°	26°		38°				
	CRI> 97	14°	18°	26°		38°				
Solo M Wallwasher Round & Square	CRI> 90									WW
	CRI> 97									WW
Solo Round & Square	CRI> 90	12°	24°		32°					
	CRI> 97	12°	24°		32°					

# Solo Series Index

**Solo M Wallwasher**  
Round & Square  
P.36



**Solo**  
Round & Square  
P.42



**Solo M 70**  
Round & Square  
P.30



**Solo M**  
Round & Square  
P.24



**Solo S & Solo S Zoom**  
Round & Square  
P.12 & P.18

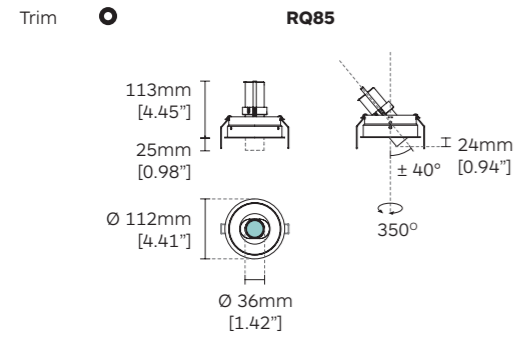


# Solo S Round & Square

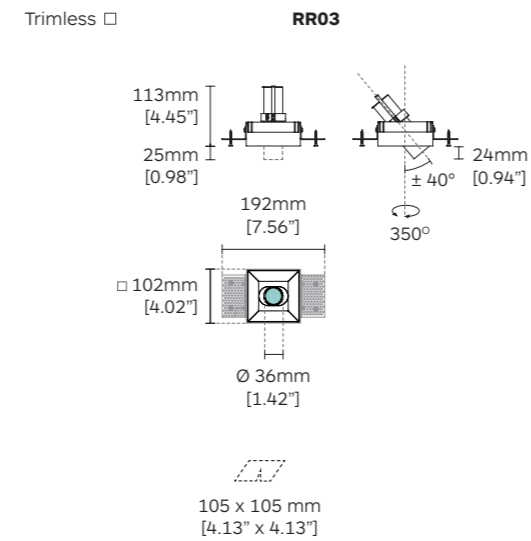
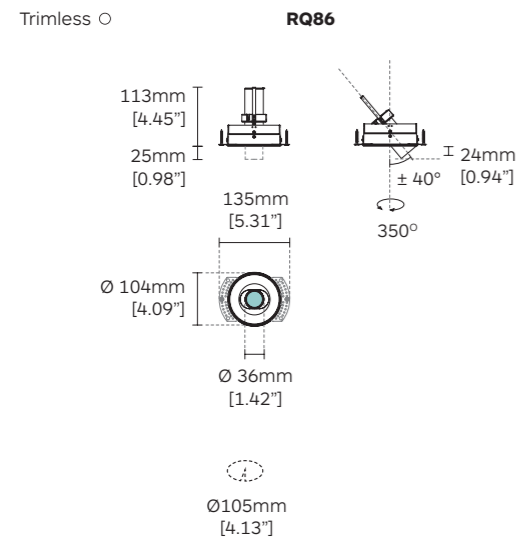


Available finishes - **54** **1Y** **65**

## Solo S Round



## Solo S Square



## Solo S Round & Square

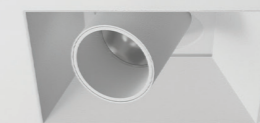
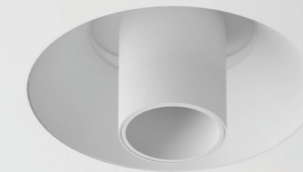
Product Code	Light Sources Code	CRI & CCT	LED Power	Nominal Lumen	Beam Angle (BA°)	Dimming Options	CCT Options
<b>RQ85</b> <b>○</b>	<b>MC42</b>	<b>CRI&gt;97</b> <b>High Rendering</b> <b>3000K</b>	12W	1053 lm	<b>14° / 22° / 32°</b>	<b>D0</b> No Dim	<b>27</b> 2700K
<b>RQ86</b> <b>○</b>						<b>D1</b> 0-10V Dim	<b>30</b> 3000K
<b>RR02</b> <b>□</b>						<b>DA</b> Dali Dim	<b>35</b> 3500K
<b>RR03</b> <b>□</b>						<b>DC</b> CASAMBI	<b>40</b> 4000K
						<b>DP</b> Phase Dim	

All dimensions in the catalogue in mm & [ inches ].  
For the most updated product information, please go to our website.

# Solos

Round & Square

- 54** - Embossed Matt White
- 1Y** - Embossed Matt Total White
- 65** - Embossed Matt Black



# Solo S Round & Square



# Solo S

The Solo S series are a recessed spotlight body in cast aluminum available in trim and trimless versions. Solo S comes in downlight wallwasher and Zoom versions for multiple applications.

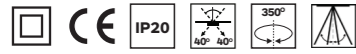
The unique pull-down mechanism enables the Solo S to function as either a downlight, a recessed accent light, or an exposed lamp head able to emulate a surface or track fixture. The special head design of Solo S is fully adjustable with vertical tilt up to 40° and rotatable horizontally up to 350°.

The Solo S Zoom is fully adjustable spotlight that features an onboard beam angle adjustment of 8-57°.

Perfect for museums and galleries applications.

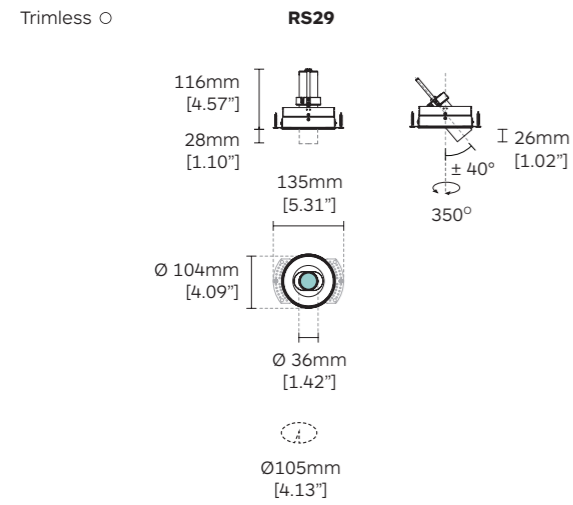
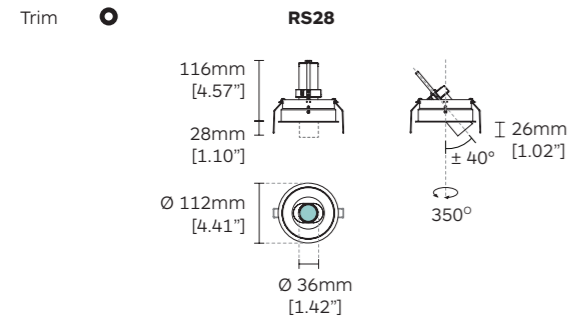
For complete code ordering information, please see page 53.

# Solo S Zoom Round & Square

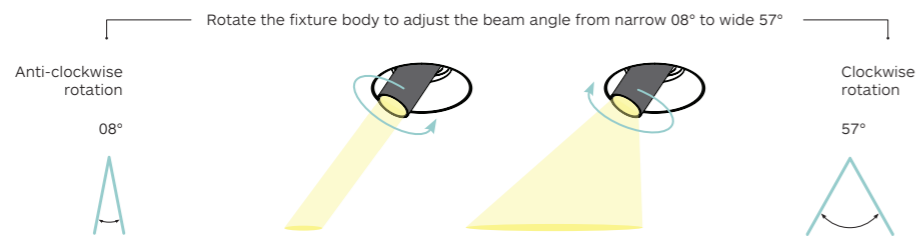
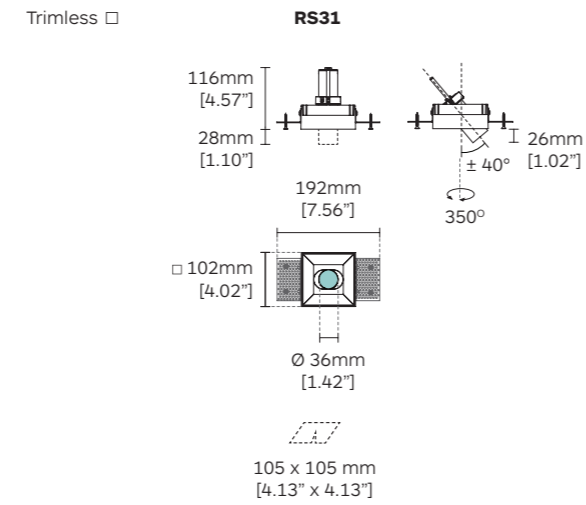
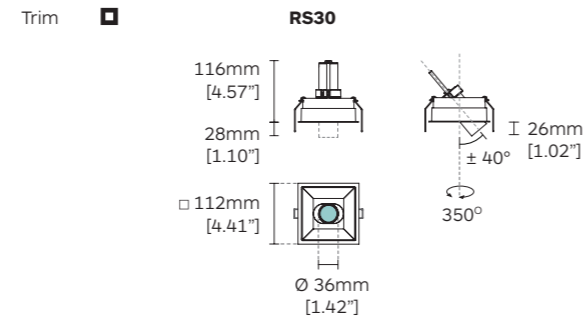


Available finishes - **54** **1Y** **65**

## Solo S Zoom Round



## Solo S Zoom Square



## Solo S Zoom Round & Square

Product Code	Light Sources Code	CRI & CCT	LED Power	Nominal Lumen	Beam Angle (BA°)	Dimming Options	CCT Options
<b>RS28</b> <b>○</b>	<b>MR21</b>	<b>CRI&gt;90 3000K</b> <b>High Efficacy</b>	7.5W	620 lm	<b>BS</b> (08° - 57°)	<b>D0</b> No Dim	<b>27</b> 2700K
<b>RS29</b> <b>○</b>						<b>D1</b> 0-10V Dim	<b>30</b> 3000K
<b>RS30</b> <b>□</b>						<b>DA</b> Dali Dim	<b>35</b> 3500K
<b>RS31</b> <b>□</b>						<b>DC</b> CASAMBI	<b>40</b> 4000K
						<b>DP</b> Phase Dim	

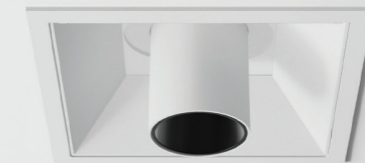
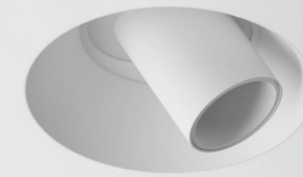
All dimensions in the catalogue in mm & [ inches ].  
For the most updated product information, please go to our website.

**BS** = Beam shaping (08° - 57°).

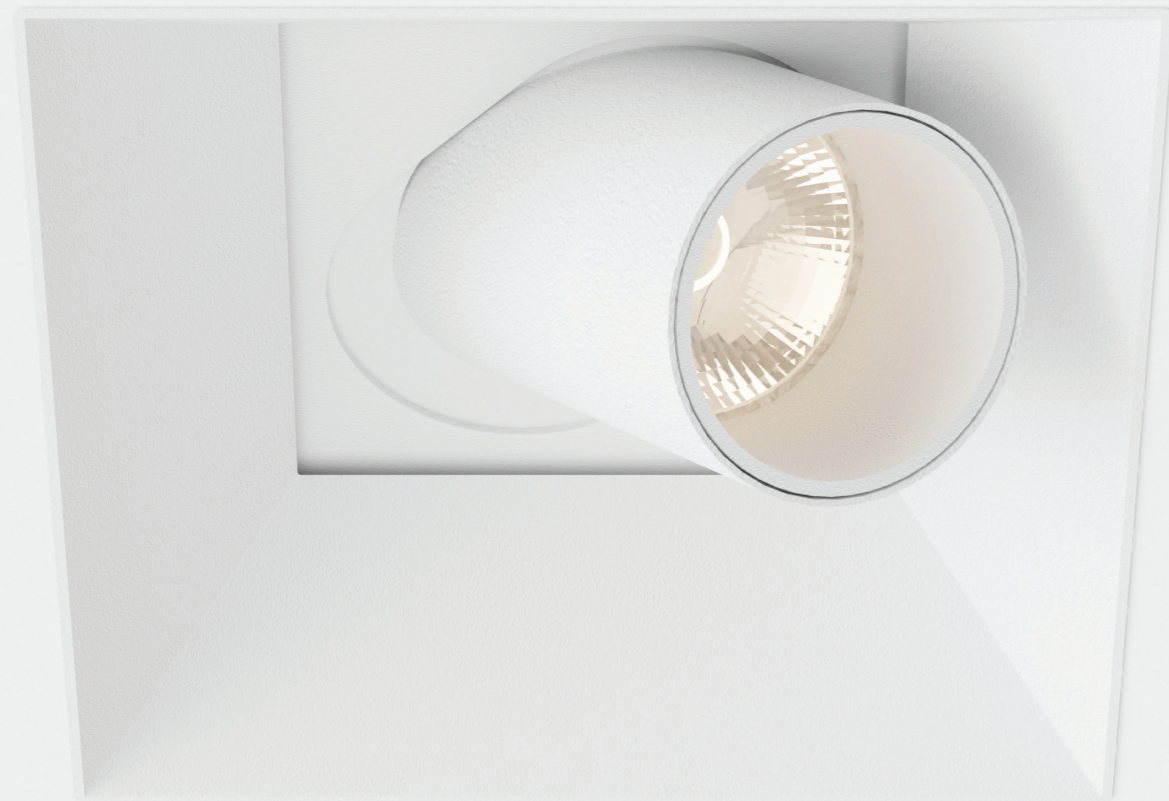
# Solo S Zoom

Round & Square

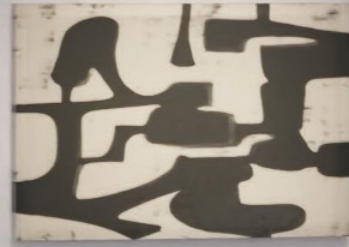
- 54** - Embossed Matt White
- 1Y** - Embossed Matt Total White
- 65** - Embossed Matt Black



# Solo S Zoom Round & Square



## Solo S Zoom



The Solo S series are a recessed spotlight body in cast aluminum available in trim and trimless versions. Solo S comes in downlight, wallwasher and Zoom versions for multiple applications.

The unique pull-down mechanism enables the Solo S to function as either a downlight, a recessed accent light, or an exposed lamp head able to emulate a surface or track fixture. The special head design of Solo S is fully adjustable with vertical tilt up to 40° and rotatable horizontally up to 350°.

The Solo S Zoom is fully adjustable spotlight that features an onboard beam angle adjustment of 8°-57°.

Perfect for museums and galleries applications.

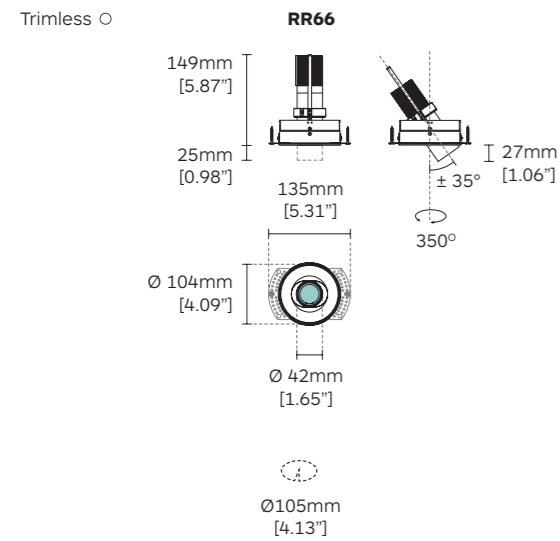
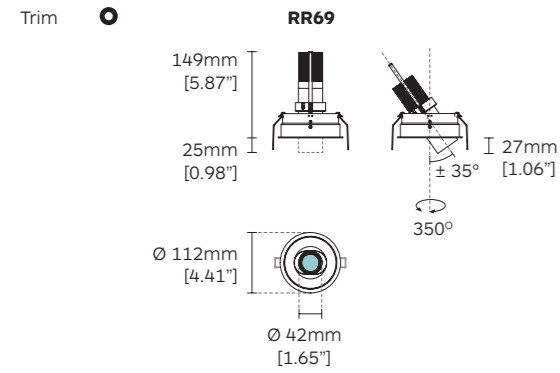
For complete code ordering information, please see page 53.

# Solo M Round & Square

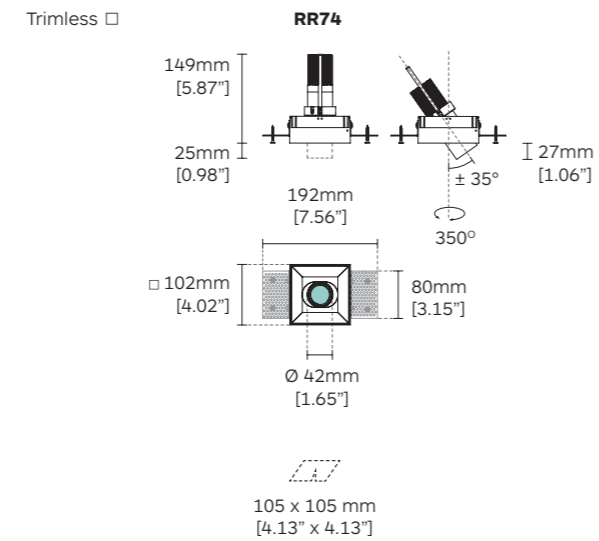
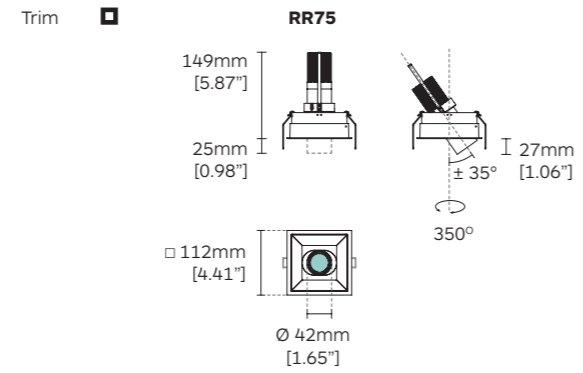


Available finishes - **54** **1Y** **65**

## Solo M Round



## Solo M Square



### Solo M Round & Square

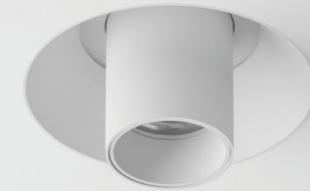
Product Code	Light Sources Code	CRI & CCT	LED Power	Nominal Lumen	Beam Angle (BA°)	Dimming Options	CCT Options
<b>RR69</b> <b>○</b>	<b>LC01</b>	<b>CRI&gt;90</b> <b>High Efficacy</b> 3000K	12W	1110 lm	<b>14°</b>	<b>D0</b> No Dim	<b>27</b> 2700K
<b>RR66</b> <b>○</b>			17W	1789 lm	<b>18° / 26° / 38°</b>	<b>D1</b> 0-10V Dim	<b>30</b> 3000K
<b>RR75</b> <b>□</b>		<b>CRI&gt;97</b> <b>High Rendering</b> 3000K	12W	1053 lm	<b>14°</b>	<b>DA</b> Dali Dim	<b>35</b> 3500K
<b>RR74</b> <b>□</b>			17W	1542 lm	<b>18° / 26° / 38°</b>	<b>DC</b> CASAMBI	<b>40</b> 4000K
							<b>DP</b> Phase Dim

All dimensions in the catalogue in mm & [ inches ].  
For the most updated product information, please go to our website.

# Solo M

Round & Square

- 54** - Embossed Matt White
- 1Y** - Embossed Matt Total White
- 65** - Embossed Matt Black



# Solo M Round & Square



## Solo M



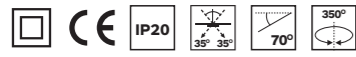
The Solo M series are a recessed spotlight body in cast aluminum available in trim and trimless versions. The trim version comes with a spring for installation on a ceiling thickness 1-25mm and the trimless version comes with brackets for a ceiling thickness of 6-25mm.

The unique pull-down mechanism enables Solo M to function as either a downlight, a recessed accent light, or an exposed lamp head able to emulate a surface or track fixture. The special head design of Solo M is fully adjustable with vertical tilt up to 35° and rotatable horizontally up to 350°.

Compact, efficient, and powerful, with excellent color rendering and different color temperature options. Ideal for lighting retail environments.

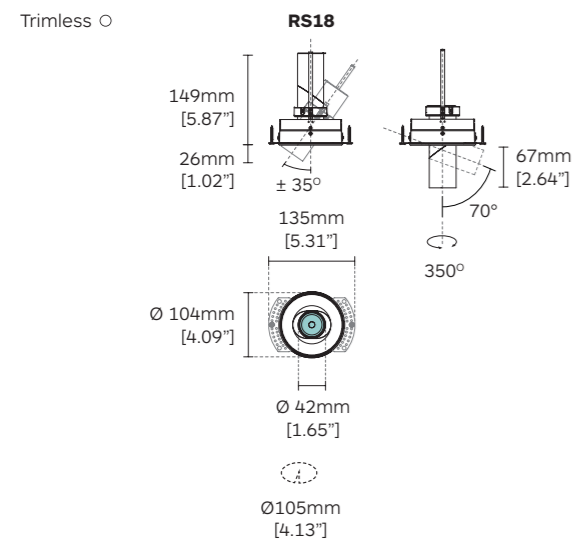
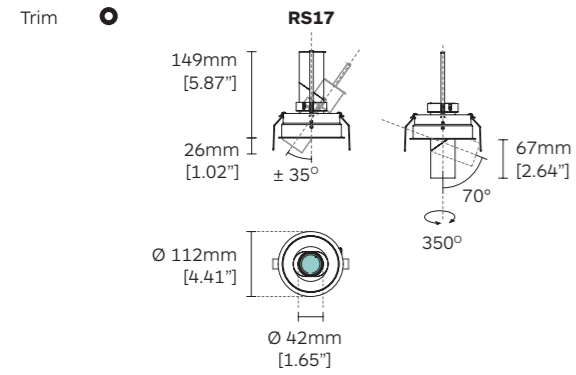
For complete code ordering information, please see page 53.

# Solo M 70 Round & Square

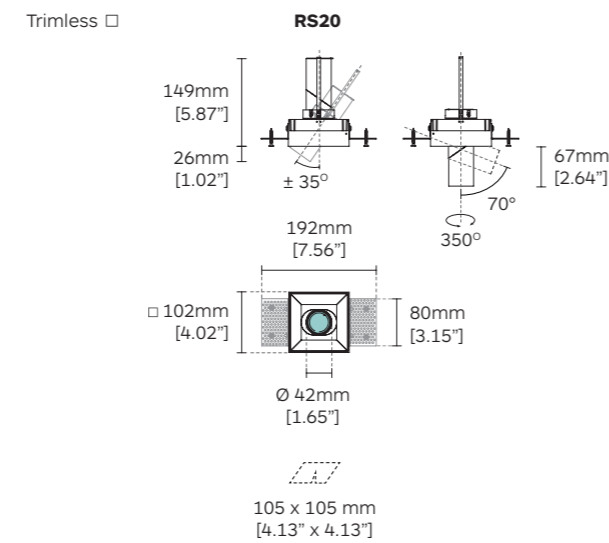
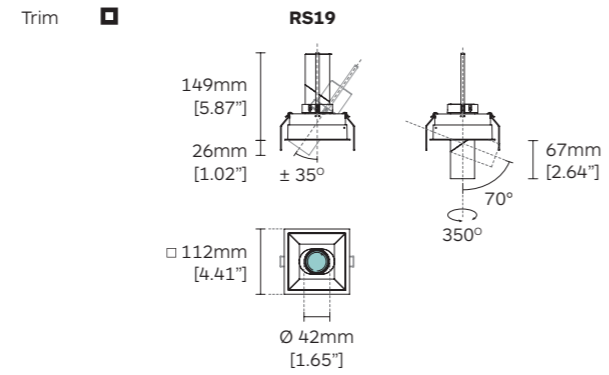


Available finishes - **54** **1Y** **65**

## Solo M 70 Round



## Solo M 70 Square



## Solo M 70 Round & Square

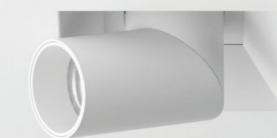
Product Code	Light Sources Code	CRI & CCT	LED Power	Nominal Lumen	Beam Angle (BA°)	Dimming Options	CCT Options
<b>RS17</b> <b>○</b>	<b>LC01</b>	<b>CRI&gt;90</b> <b>High Efficacy</b> 3000K	12W	1110 lm	<b>14°</b>	<b>D0</b> No Dim	<b>27</b> 2700K
<b>RS18</b> <b>○</b>			13W	1464 lm	<b>18° / 26° / 38°</b>	<b>D1</b> 0-10V Dim	<b>30</b> 3000K
<b>RS19</b> <b>□</b>		<b>CRI&gt;97</b> <b>High Rendering</b> 3000K	12W	1053 lm	<b>14°</b>	<b>DA</b> Dali Dim	<b>35</b> 3500K
<b>RS20</b> <b>□</b>			13W	1272 lm	<b>18° / 26° / 38°</b>	<b>DC</b> CASAMBI	<b>40</b> 4000K
							<b>DP</b> Phase Dim

All dimensions in the catalogue in mm & [ inches ].  
For the most updated product information, please go to our website.

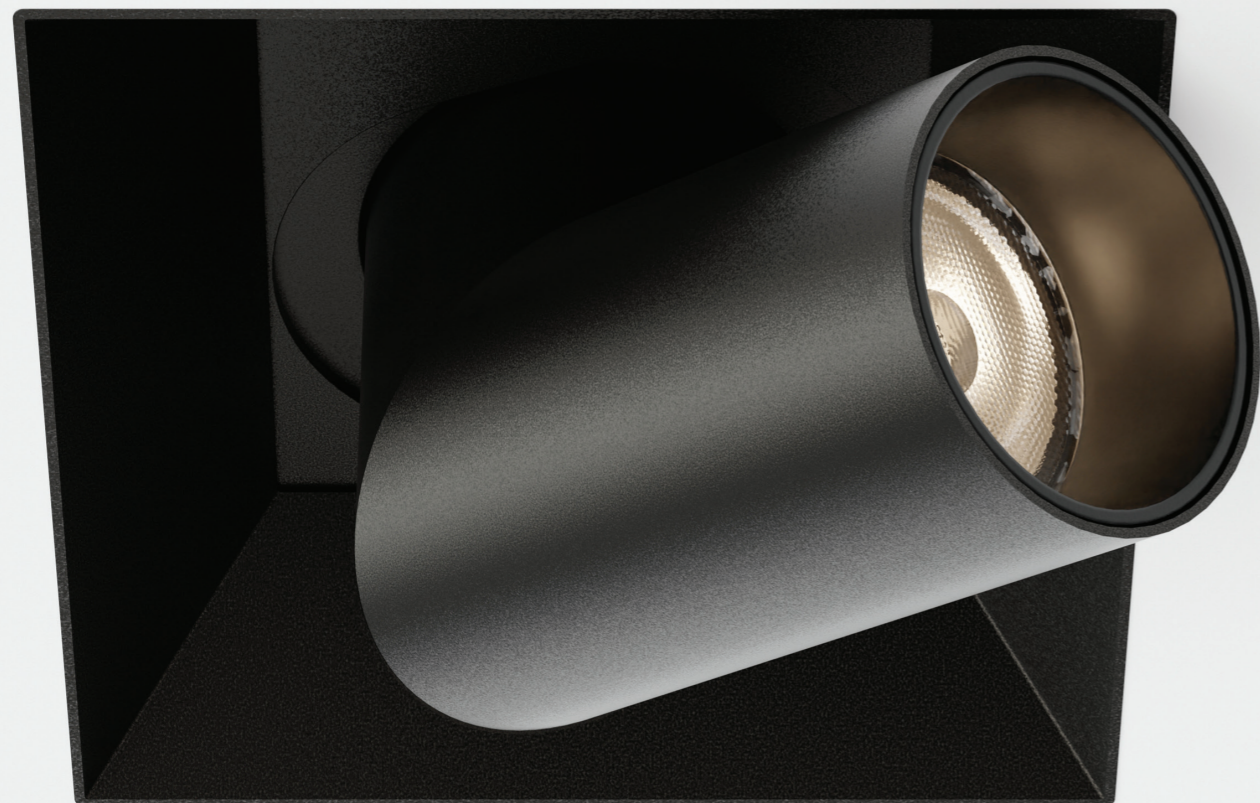
# Solo M 70

Round & Square

- 54** - Embossed Matt White
- 1Y** - Embossed Matt Total White
- 65** - Embossed Matt Black



# Solo M 70 Round & Square



The Solo M 70 series are recessed spotlight body in cast aluminum available in trim and trimless versions. The trim version comes with a spring for installation on a ceiling thickness 1-25mm and the trimless version comes with brackets for a ceiling thickness of 6-25mm.

The unique pull-down mechanism enables Solo M to function as either a downlight, a recessed accent light, or an exposed lamp head able to emulate a surface or track fixture. The special light head design of Solo M 70 is fully adjustable with vertical tilt up to 70° and rotatable horizontally up to 350°.

Compact, efficient and powerful, with excellent color rendering and different color temperature options. Ideal for lighting retail environments.

For complete code ordering information, please see page 53.

# Solo M 70

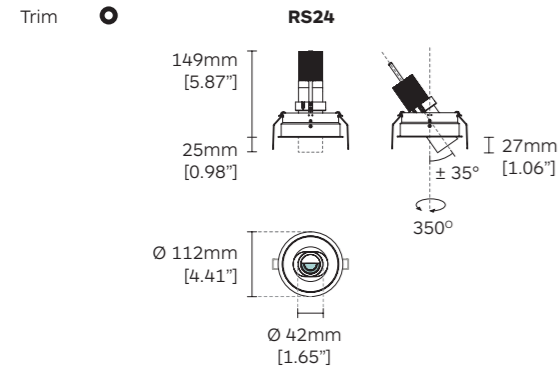


# Solo M Wallwasher Round & Square

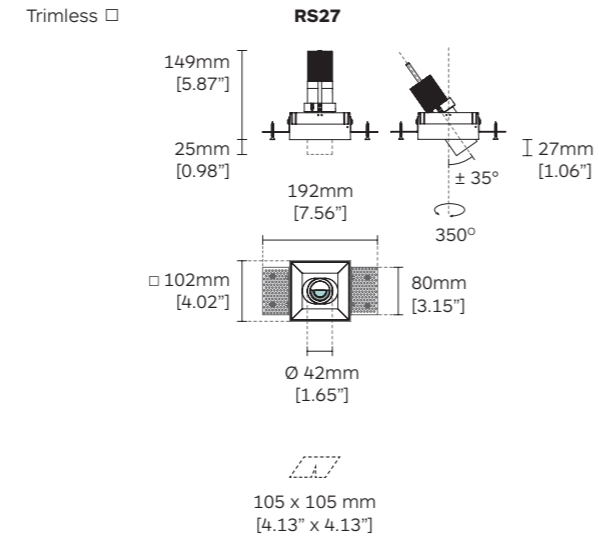
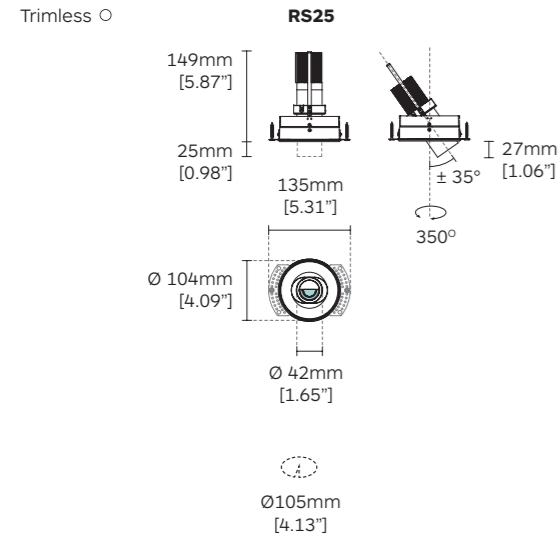
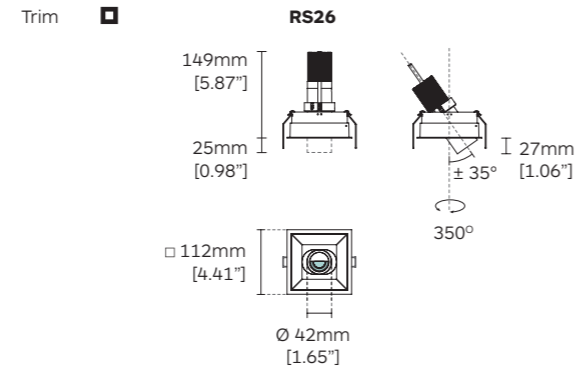


Available finishes - **54** **1Y** **65**

## Solo M Wallwasher Round



## Solo M Wallwasher Square



## Solo M Wallwasher Round & Square

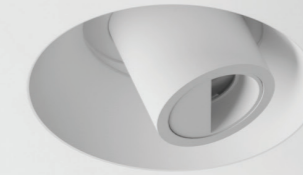
Product Code	Light Sources Code	CRI & CCT	LED Power	Nominal Lumen	Beam Angle (BA°)	Dimming Options	CCT Options
<b>RS24</b> <b>○</b>	<b>MC36</b>	<b>CRI&gt;90 3000K</b> <b>High Efficacy</b>	9W	1043 lm	<b>WW</b>	<b>D0</b> No Dim	<b>27</b> 2700K
<b>RS25</b> <b>○</b>						<b>D1</b> 0-10V Dim	<b>30</b> 3000K
<b>RS26</b> <b>□</b>	<b>MC36</b>	<b>CRI&gt;97 3000K</b> <b>High Rendering</b>	9W	961 lm	<b>WW</b>	<b>DA</b> Dali Dim	<b>35</b> 3500K
<b>RS27</b> <b>□</b>						<b>DC</b> CASAMBI	<b>40</b> 4000K
						<b>DP</b> Phase Dim	

All dimensions in the catalogue in mm & [ inches ].  
For the most updated product information, please go to our website.

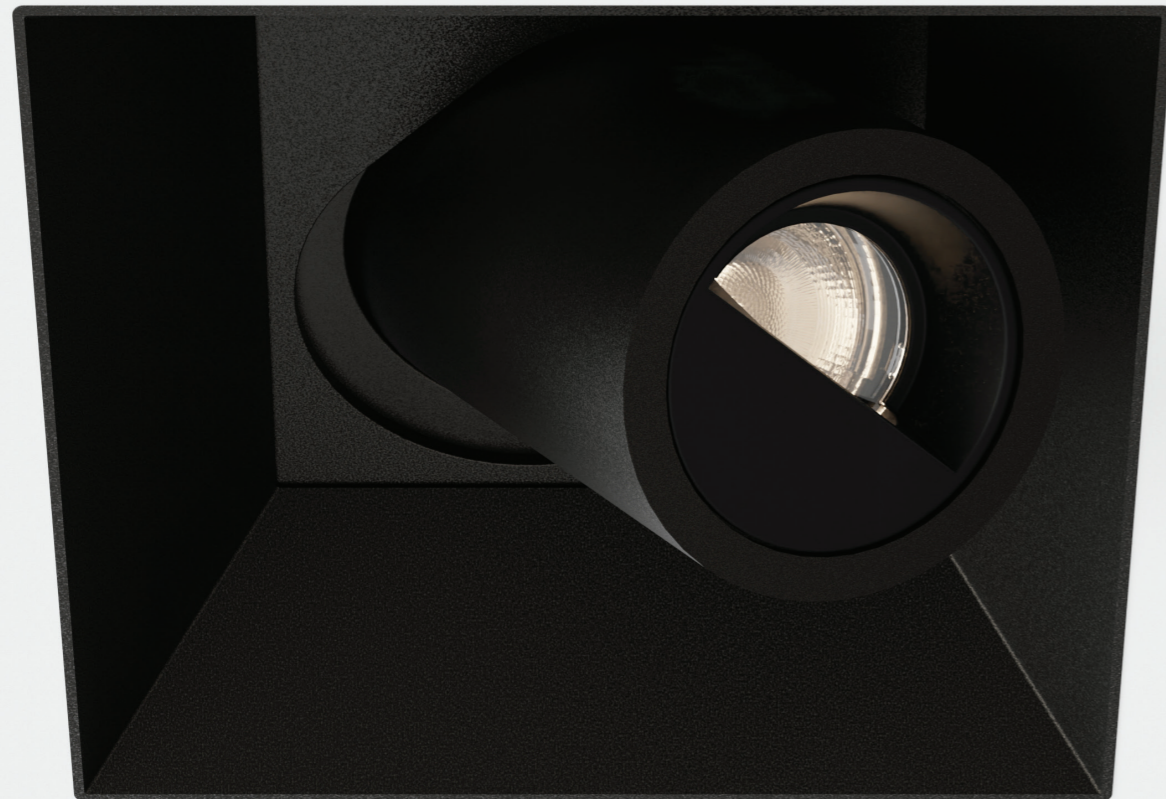
# Solo M Wallwasher

Round & Square

- 54** - Embossed Matt White
- 1Y** - Embossed Matt Total White
- 65** - Embossed Matt Black



# Solo M Wallwasher Round & Square



# Solo M Wallwasher

The Solo M Wallwasher series are a recessed spotlight body in cast aluminum available in trim and trimless versions.

The unique pull-down mechanism enables the Solo M wallwasher to function as either a downlight, a recessed accent light, or an exposed lamp head able to emulate a surface or track fixture.

The special head design of Solo M Wallwasher is fully adjustable with vertical tilt up to 35° and rotatable horizontally up to 350°.

Perfect for museums and galleries applications. Wallwashers achieve their amazing lighting effect with high uniformity can be used to illuminate artwork and sculptures. Vertical uniformity creates a wide and distinguished spatial impression by brightening the entire height of the wall.

For complete code ordering information, please see page 53.

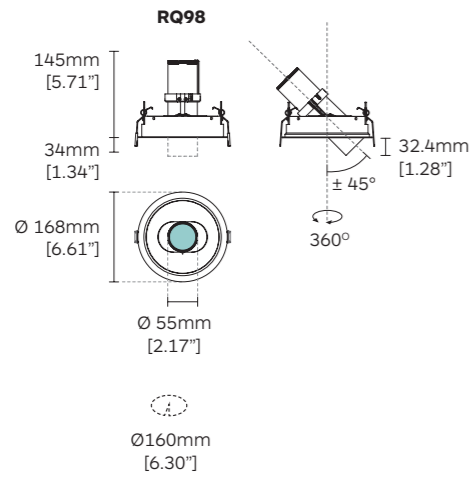
# Solo Round & Square



Available finishes - **54** **1Y** **65**

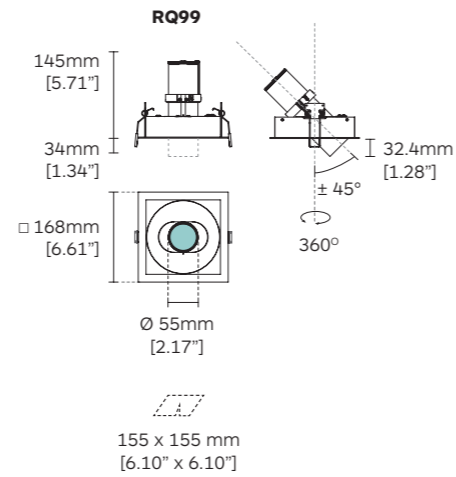
## Solo Round

Trim **○**

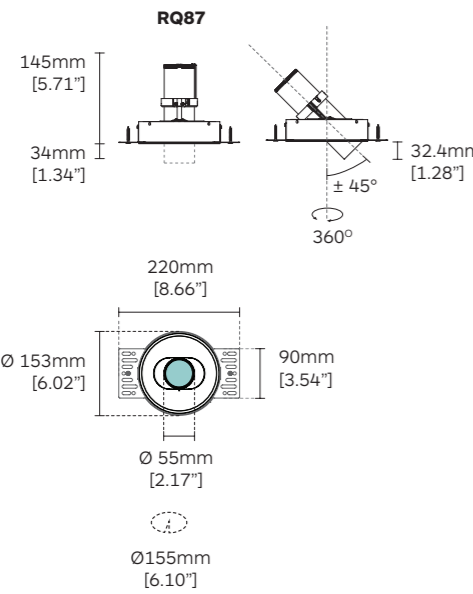


## Solo Square

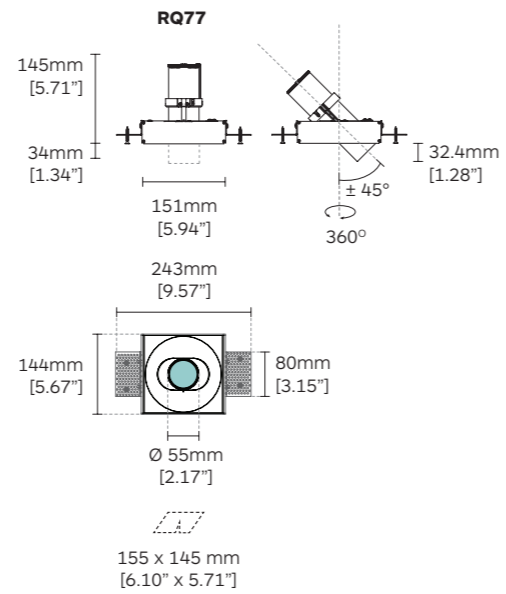
Trim **□**



Trimless **○**



Trimless **□**

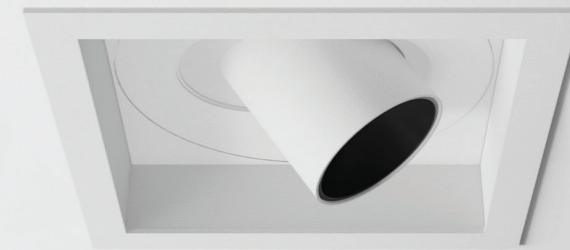
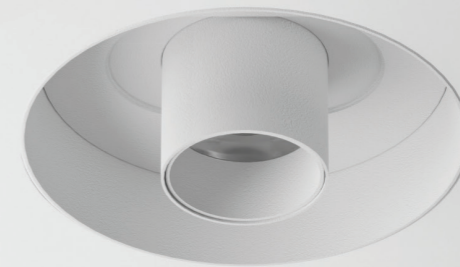
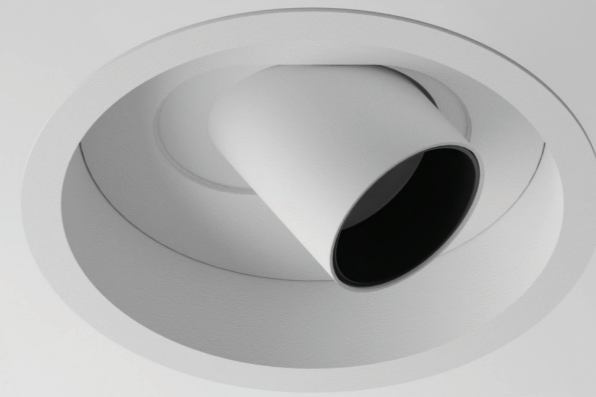


## Solo Round & Square

Product Code	Light Sources Code	CRI & CCT	LED Power	Nominal Lumen	Beam Angle (BA°)	Dimming Options	CCT Options
<b>RQ98</b> <b>○</b>	<b>MC36</b>	<b>CRI&gt;90</b> <b>3000K</b> <b>High Efficacy</b>	17W	1789 lm	<b>12° / 24° / 32°</b>	<b>D0</b> No Dim	<b>27</b> 2700K
<b>RQ87</b> <b>○</b>						<b>D1</b> 0-10V Dim	<b>30</b> 3000K
<b>RQ99</b> <b>□</b>	<b>MC36</b>	<b>CRI&gt;97</b> <b>3000K</b> <b>High Rendering</b>	17W	1542 lm	<b>12° / 24° / 32°</b>	<b>DA</b> Dali Dim	<b>35</b> 3500K
<b>RQ77</b> <b>□</b>						<b>DC</b> CASAMBI	<b>40</b> 4000K
						<b>DP</b> Phase Dim	

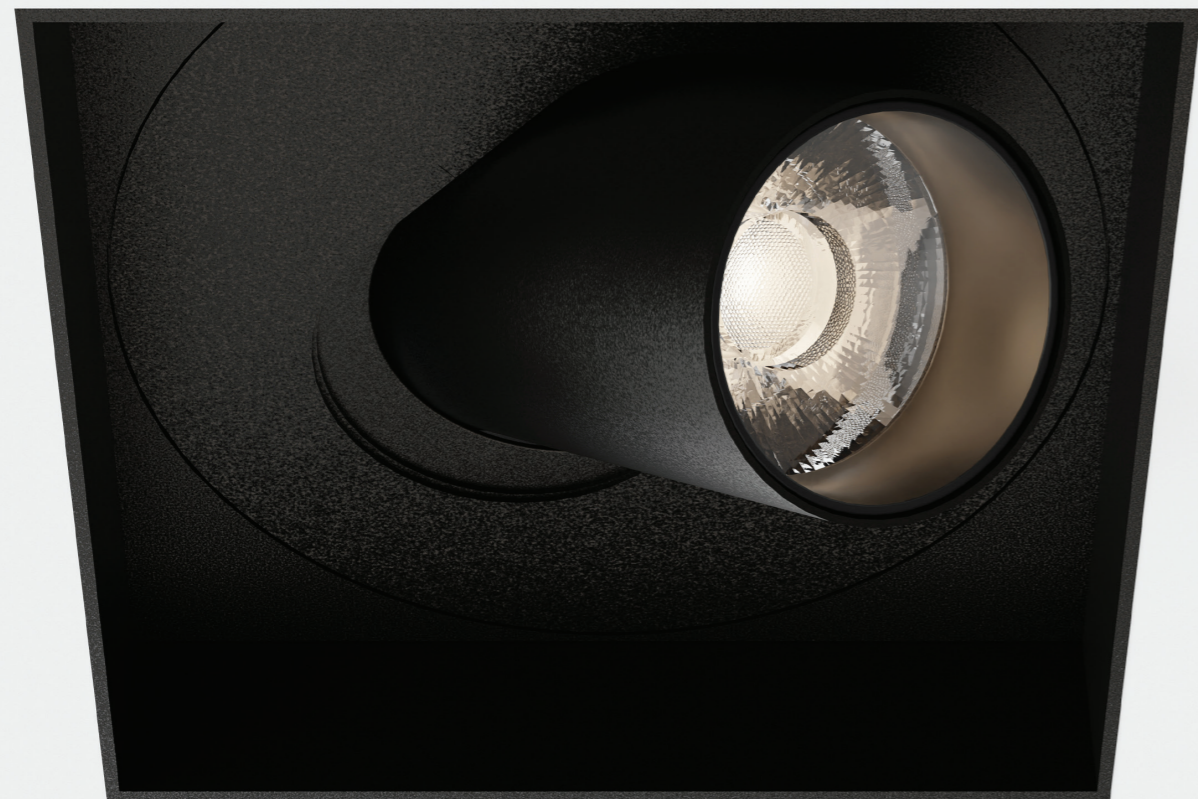
All dimensions in the catalogue in mm & [ inches ].  
For the most updated product information, please go to our website.

- 54** - Embossed Matt White
- 1Y** - Embossed Matt Total White
- 65** - Embossed Matt Black



Solo  
Round & Square

# Solo Round & Square



The Solo series are a recessed spotlight body in cast aluminum available in trim and trimless versions. The unique pull-down mechanism enables the Solo to function as either a downlight, a recessed accent light, or an exposed lamp head able to emulate a surface or track fixture.

The special head design of Solo is fully adjustable with vertical tilt up to 45° and rotatable horizontally up to 360°.

Perfect for retail, museums, showrooms, and window displays.

For complete code ordering information, please see page 53.

# Solo

# Symbols & Icons

## Symbols & Icons

CE Mark - Product complies with CE Standard.



CSA Mark - Product complies with USA & Canada Standard.



### Other third party product approvals

Our products include electrical and electronic components that carry other world wide Test House approvals such as those shown:



### CLASS I

Luminaires of insulation Class I - with earth connector.



### CLASS II

Luminaires of insulation Class II - With safety isolation, this means the tension conduction element are protected by additional isolation. The isolation of an earth wire it is not necessary and the connection to it is not allowed.



### CLASS III

Luminaires of isolation Class III - designed for operation of protected low voltage supply (>42V).



Zoom



CASAMBI



Recyclable



## IP\_\_ Degree of Ingress Protection IP\_\_

1st Number	Protection Against Dust and Solid Objects	2nd Number	Protection Against Moisture and Liquids
0	No-Protection	0	No-Protection
1	Protection against solid objects >50 mm	1	Protection against dripping water
2	Protection against solid objects >12 mm	2	Protection against dripping water tilted > 15 deg
3	Protection against solid objects >2.5 mm	3	Protection against spraying water > 30 deg
4	Protection against solid objects >1 mm	4	Protection against spraying water
5	Dust - protected	5	Protection against water jet
6	Dust - tight	6	Protection against waves
		7	Protection against the effects of immersion
		8	Protection against submersion

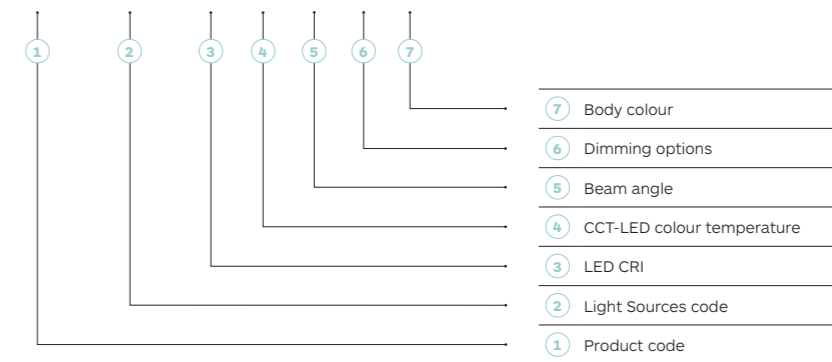
## Black & white finishes types

Finish code	Finish name and description	Finish icon	Finish color texture
<b>1Y</b>	<b>Embossed matt total white RAL (9016)</b> <i>White body + white snoot.</i>		
<b>54</b>	<b>Embossed matt white RAL (9016)</b> <i>White body + black snoot.</i>		
<b>11</b>	<b>White RAL (9003)</b> <i>White body + black snoot.</i>		
<b>65</b>	<b>Embossed matt black RAL (9017)</b> <i>Black body + black snoot.</i>		
<b>10</b>	<b>Black RAL (9004)</b> <i>Black body + black snoot.</i>		

# Code system Global presence

## Code System

Code ordering example: **R Q 9 8 M C 3 6 - 9 0 3 0 1 2 D 0 5 4**



LED CRI	CCT-LED Colour temperature	Dimming Options	Body Colour
<b>90</b> CRI > 90	<b>27</b> Warm White 2700K	<b>D0</b> No dimming	<b>54</b> Embossed matt white (RAL 9016)
<b>97</b> CRI > 97	<b>30</b> Warm White 3000K	<b>D1</b> 0-10V Dim	<b>1Y</b> Embossed Matt Total White (RAL 9016)
	<b>35</b> Warm White 3500K	<b>DA</b> Dali Dim	<b>65</b> Embossed matt black (RAL 9017)
	<b>40</b> Neutral White 4000K	<b>DC</b> CASAMBI	
		<b>DP</b> Phase Dim	

## How to order

Available finishes - **54** **1Y** **65**

**Solo Round & Square**

Product Code	Light Sources Code	CRI & CCT	LED Power	Nominal Lumen	Beam Angle (BA°)	Dimming Options
<b>RQ98</b> ○	<b>MC36</b>	<b>CRI&gt;90 3000K</b> High Efficacy	17W	1789 lm	<b>12° / 24° / 32°</b>	<b>D0</b> No Dim
<b>RQ87</b> ○						<b>D1</b> 0-10V Dim
<b>RQ99</b> ■						<b>DA</b> Dali Dim
<b>RQ77</b> □						<b>DC</b> CASAMBI
						<b>DP</b> Phase Dim
						<b>CCT Options</b>
						<b>27</b> 2700K
						<b>30</b> 3000K
						<b>35</b> 3500K
						<b>40</b> 4000K

Ordering breakdown:

- 1 Product code: **RQ98**
- 2 LED Module code: **MC36**
- 3 LED CRI: **90**
- 4 CCT-LED colour temperature: **30**
- 5 Beam angle: **12**
- 6 Dimming options: **D0**
- 7 Body colour: **54**

# Global presence

Celebrating over 50 years of vision, dedication and innovation, formalighting's versatile and high-quality product offerings extends internationally via our headquarters in Hong Kong, London, Milan and Shanghai.

Our well chosen and selected partners as well as our affiliated international offices broaden our global presence further in markets such as USA, Australia, Japan, South East Asia, India and the Middle East.

Through our commitment to growth and investment within formalighting's professional team, infrastructure and product ranges, we are able to provide increasing service to our global retail and hospitality clients as well as lighting designers and specifiers strengthening our position as a leading international supplier of innovative architectural lighting solutions and systems.

With over 50 years' experience in designing and manufacturing architectural lighting, formalighting's comprehensive portfolio offers a competitive range of European designed and expertly engineered products that carry CB, CE, CCC and UL certifications.

Furthermore formalighting's latest award-winning motorized range of track, pendant, and recessed fixtures, featuring remote-controlled adjustable pan and tilt, dim, dim to warm, tuneable white and beam shaping lens, are available worldwide incorporating the latest, most advanced lighting technologies.

## MILAN

### EUROPE HEADQUARTERS

Tel ( +39 ) 02 9354 0300

Fax ( +39 ) 02 9343 5117

E- mail info-europe@formalighting.com

## HONG KONG

### ASIA HEADQUARTERS

Tel ( +852 ) 2516 6500

Fax ( +852 ) 2516 6525

E- mail info-asia@formalighting.com

## NEW YORK

### LOCAL SALES OFFICE

E- mail info-us@formalighting.com

## SHANGHAI

### LOCAL SALES OFFICE

E- mail info-china@formalighting.com

## LONDON

### LOCAL SALES OFFICE

E- mail info-uk@formalighting.com

## AUSTRALIA

### LOCAL SALES OFFICE

Tel ( +61 ) 488 567 388

E- mail info-australia@formalighting.com

## INDIA

### LOCAL SALES OFFICE

Tel ( +91 ) 9686351257

E- mail info-india@formalighting.com

formalighting is constantly developing and improving its products therefore all information, drawings illustrations, specifications, photometric values in this catalogue are indicatives and shall not form part of any commitment by our company that reserves the right to change specifications without prior notification or public announcement.

Technical information on the installation-instruction has precedence over the information in the catalogue.

Our general terms and conditions shall apply notwithstanding any stipulation on the contrary to all the orders and agreement with formalighting. You can obtain a copy of these conditions on demand.

Publication date: October 2025

©Copyright formalighting

With thanks to all contributors for the realization of this catalogue

Designed by formalighting's Graphic Design Department

No part of this catalogue may be copied without written authorization of formalighting

[www.formalighting.com](http://www.formalighting.com)

**formalighting**

# formalighting

HONG KONG

-

LONDON

-

MILAN

-

SHANGHAI

-

USA

-

INDIA