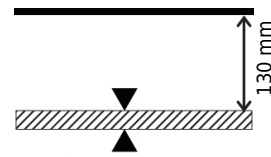
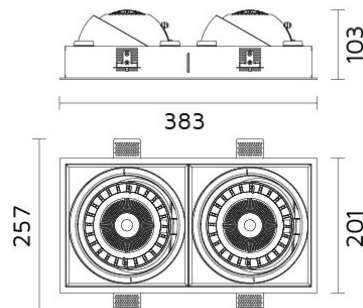


Palla Square In-Out 2 Trim

RI66-K40D50

Palla Square In-Out



188x371



Square Adjustable Trim recessed mounted downlight with LED

- Twin Light heads: Retractable, 350° rotatable, 30° Inward or 60° Outward tilting.
- Made from die cast aluminium in powder coat finish, light head designed with integrated heat-sink.
- Optical grade metalized polycarbonate reflector.
- Hot-aim, self-locking, tool-free adjustment.
- Safety cable included.
- Passive cooling COB LED source 4000K CRI>80 of 2x4280 nominal lumen.
- System power 2x38W; System efficacy 94,8 lm/W; 2x3604 delivered lumen.
- Optic: reflector beam angle: 50°.
- Supplied with spill ring device for minimal glare and smooth light effect.
- Supplied with non-dimming driver positioned remotely 220-240V 50/60Hz.
- Dimming options available on request.
- Trimless version is available.
- Design by FrancMirezzi.

LED source package is available on request with a preferred LED colour rendering CRI>90 and/or other colour temperature K options.

Specifications

Designed and manufactured to comply with European standard EN 60598.



Product code	Finish	Color temperature	CRI	Beam angle	Dim. options	Code
RI66	10 - Black 11 - White	K40-4000K	>80	D50-50°	1-10V DC	0
					Dali	1
					Phase	2
					PWM	3
					LaserDIM	5

Ordering code example : RI66 - __ K40 D50 __